



## Description

The HSG-P is used to test the accuracy of the Brugger heat sealers HSG-CC, HSG-C (and HSG-ETK). This easy-to-use tester allows you to meet the QC requirements on location in your plant. Use the HSG-P to check the values for temperature, force and time fast and efficiently—without complicated preferences. For devices of the type HSG-CC and HSG-C the displayed force can also be calibrated.

## Temperature

Simply attach the temperature jaws in place of the sealing jaws. The HSG-P calibrator detects the temperature gradient of the upper and lower sealing unit with 6 high precision PT100 temperature sensors.

## Force/Time

Simply attach the load cell to the heat protection connection. To check the set sealing force and the sealing time. First check different sealing forces. If necessary, you can re-adjust the displayed sealing force directly on your HSG-CC / HSG-C. In a second step, you can evaluate the set sealing time using the already mounted load cell.

## Typical application

- In house maintenance
- Monitoring of test equipment
- Troubleshooting

## Scope of Delivery

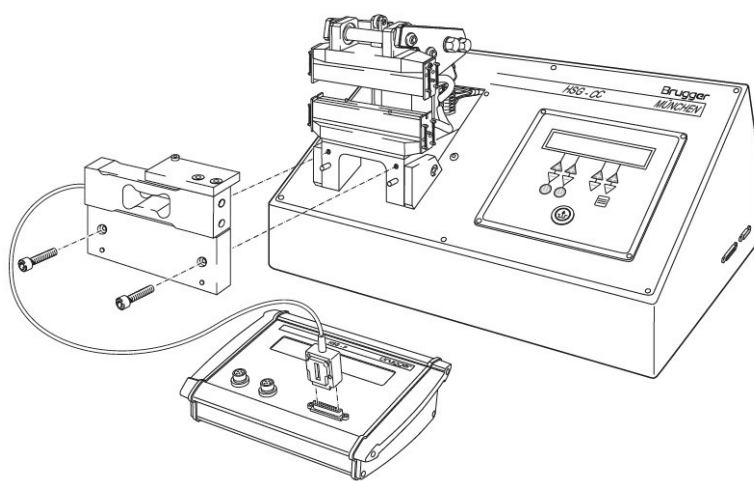
- Testing device HSG-P
- Power supply
- Load cell
- 1 adapter with 2 drop cables for the temperature test jaws
- 2 or 4 test jaws for the Heat-Sealing Machine

## Specifications

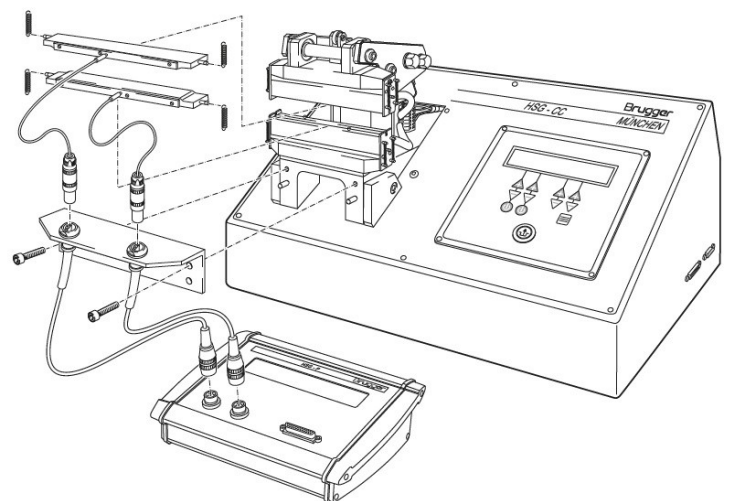
|                           |                                  |
|---------------------------|----------------------------------|
| Compatible with           | HSG-CC, HSG-C, HSG-ETK           |
| Dimensions device         | 24 x 18 x 8 cm                   |
| Weight set                | 3 kg                             |
| Total weight (incl. Case) | 6 kg                             |
| Storage temperature       | 0°C - 50°C                       |
| Working temperature       | 15°C - 35°C                      |
| Relative humidity         | max. 80%, non-condensing         |
| Power adapter (incl.)     | 110-240 V to 24V , 6 W, Europlug |

## Accuracy

| Measuring Type | Maximum absolute tolerance | Measuring range | Interval |
|----------------|----------------------------|-----------------|----------|
| Temperature    | +/- 1.5°C                  | 0°C to 250°C    | 0.1°C    |
| Force          | +/- 5N                     | 0N to 1000N     | 1 N      |
| Time           | +/- 0.03 s                 | 0.05s to 99.95s | 0.01 s   |



Fitting the load cell to the HSC-CC



Fitting the Temperature measuring jaws to the HSG-CC